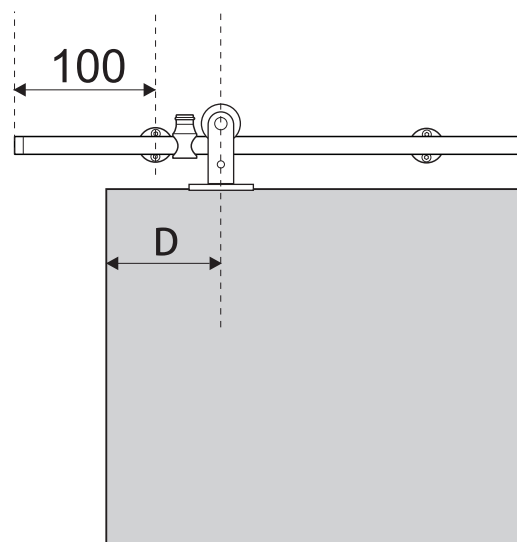
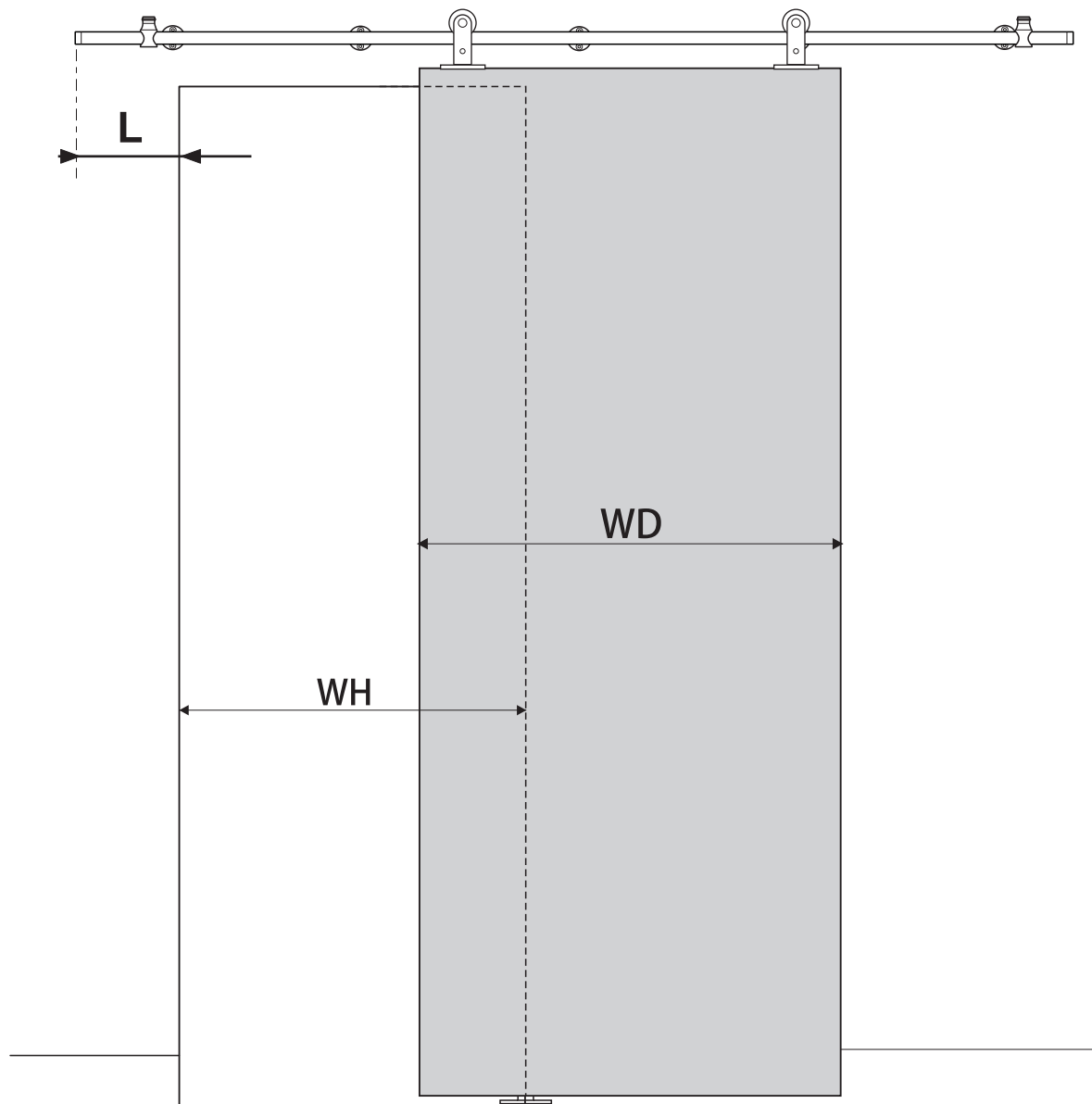
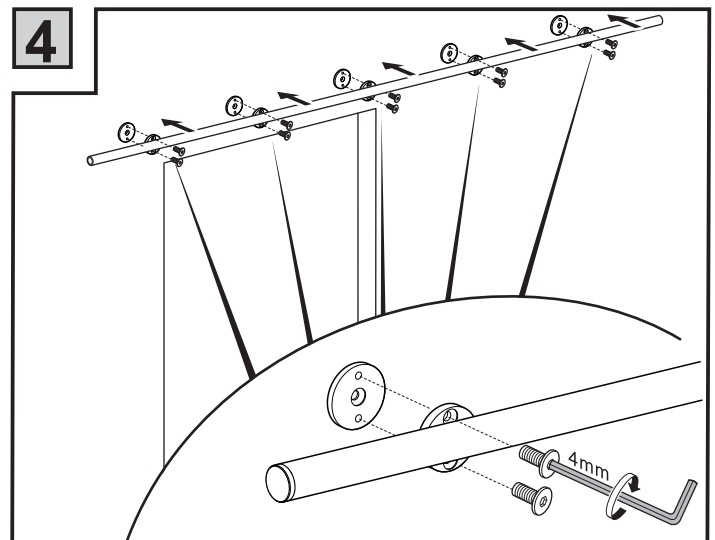
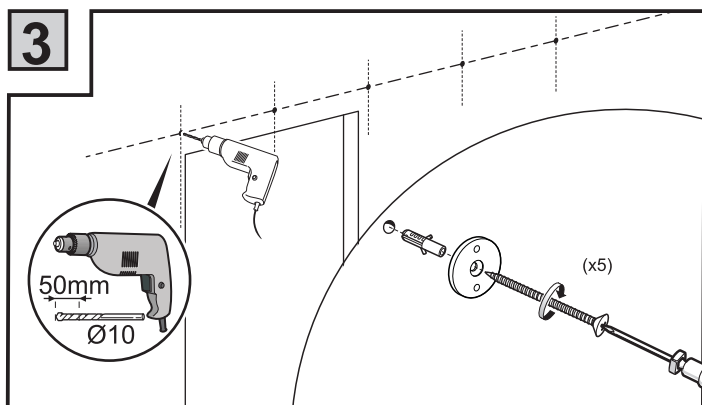
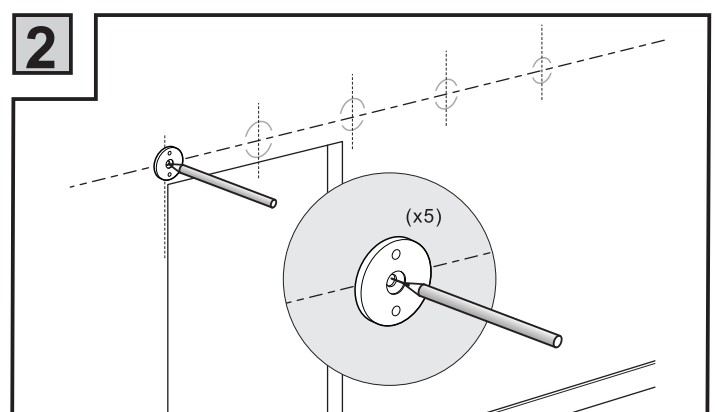
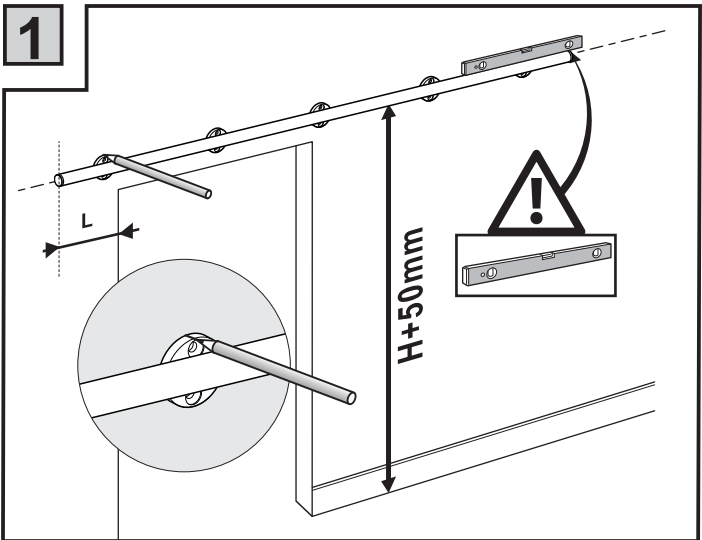
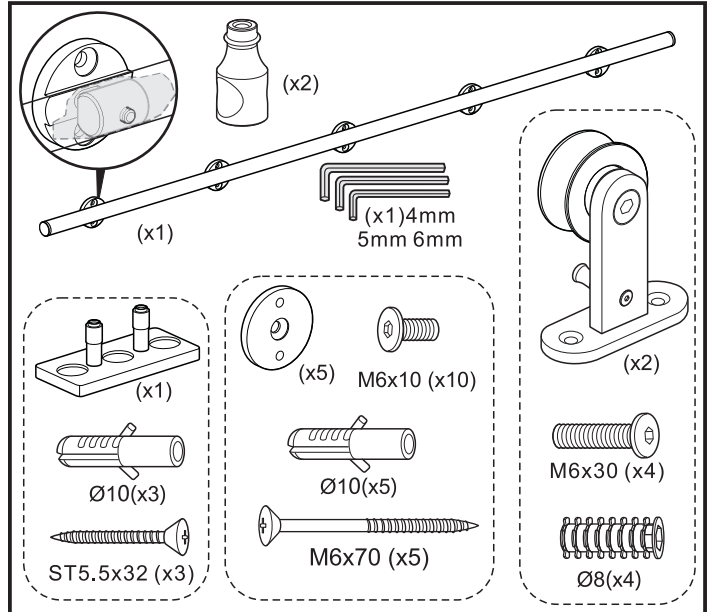
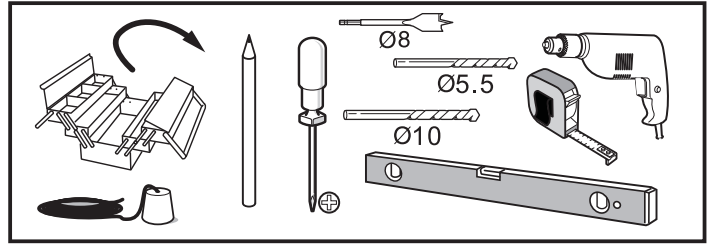
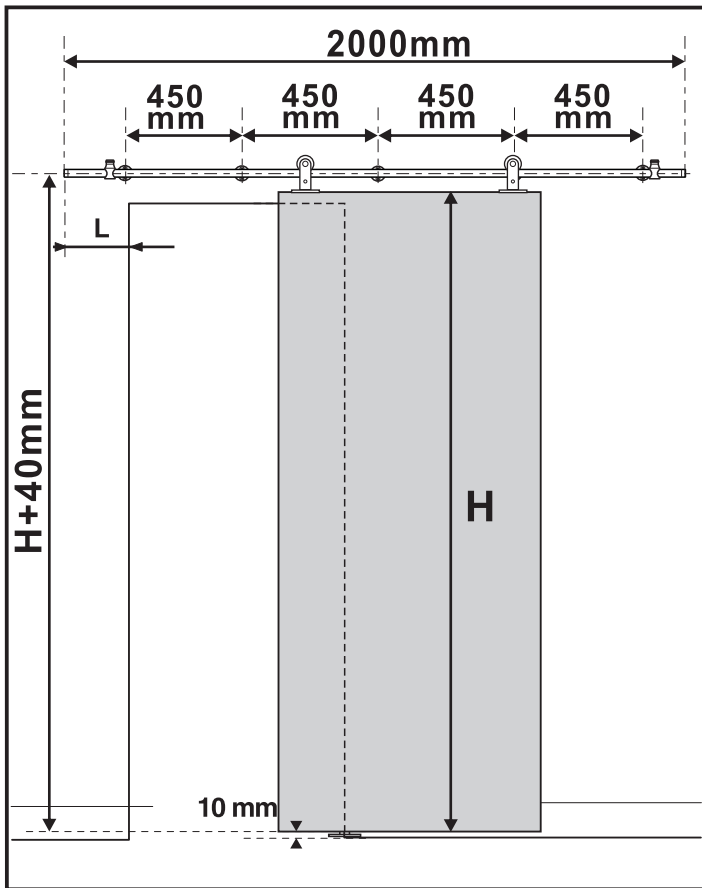


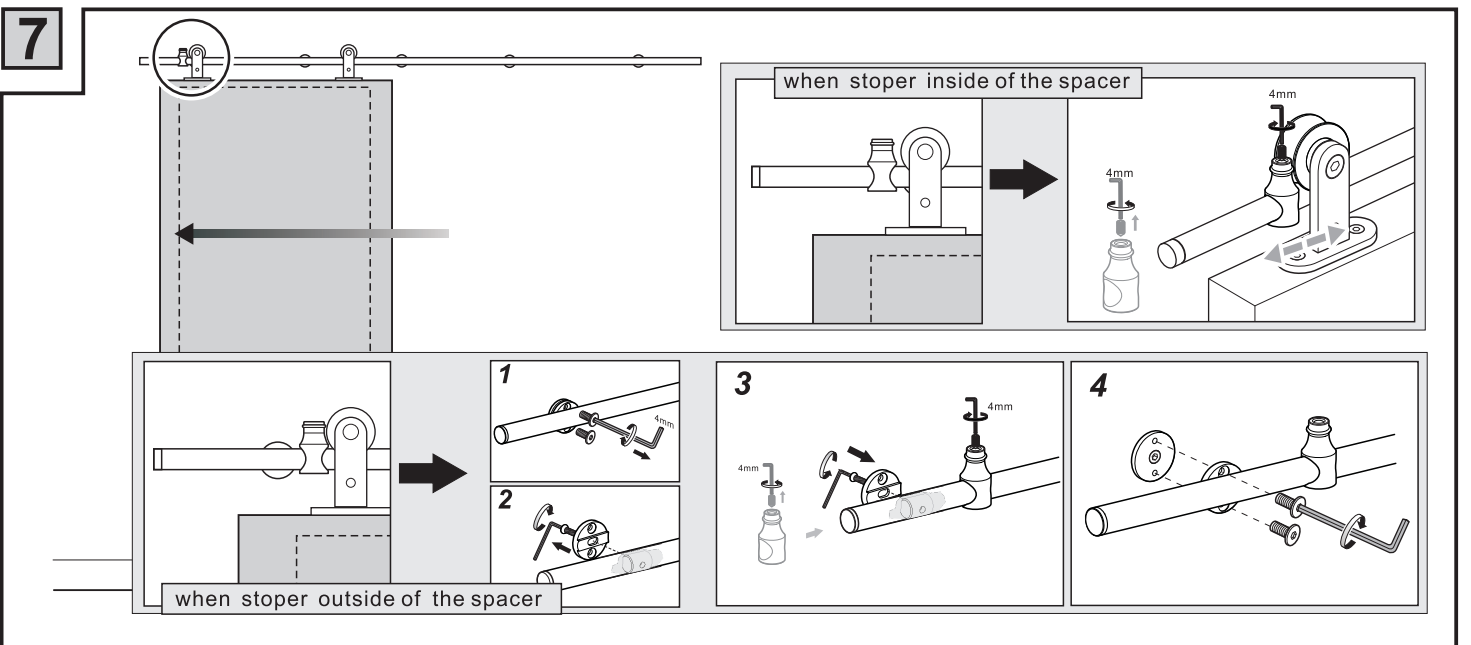
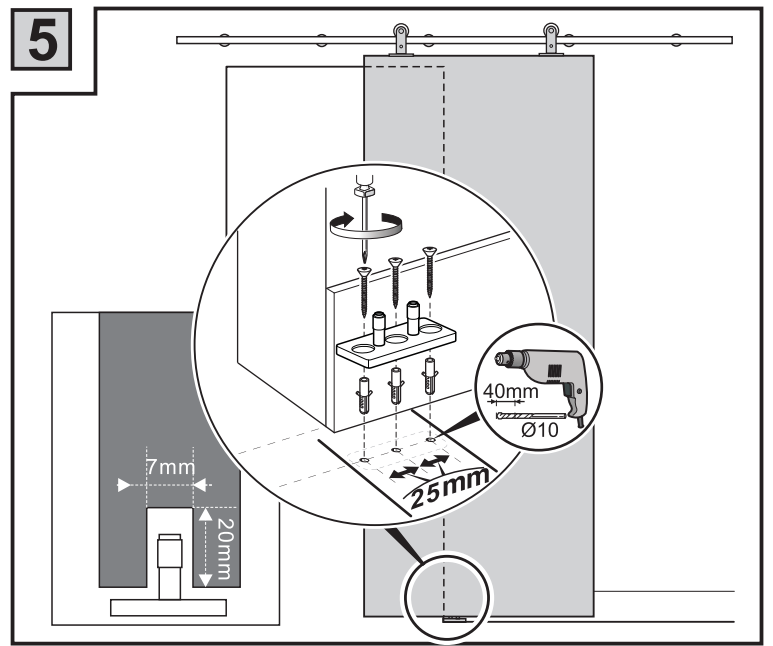
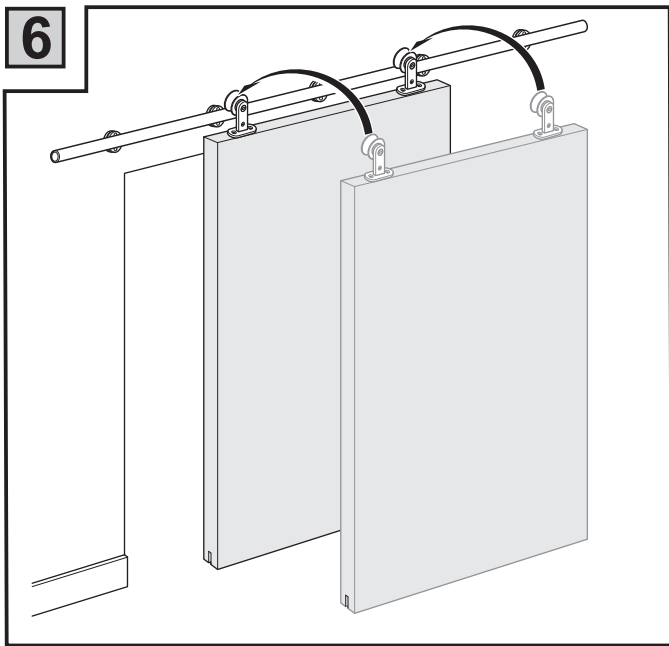
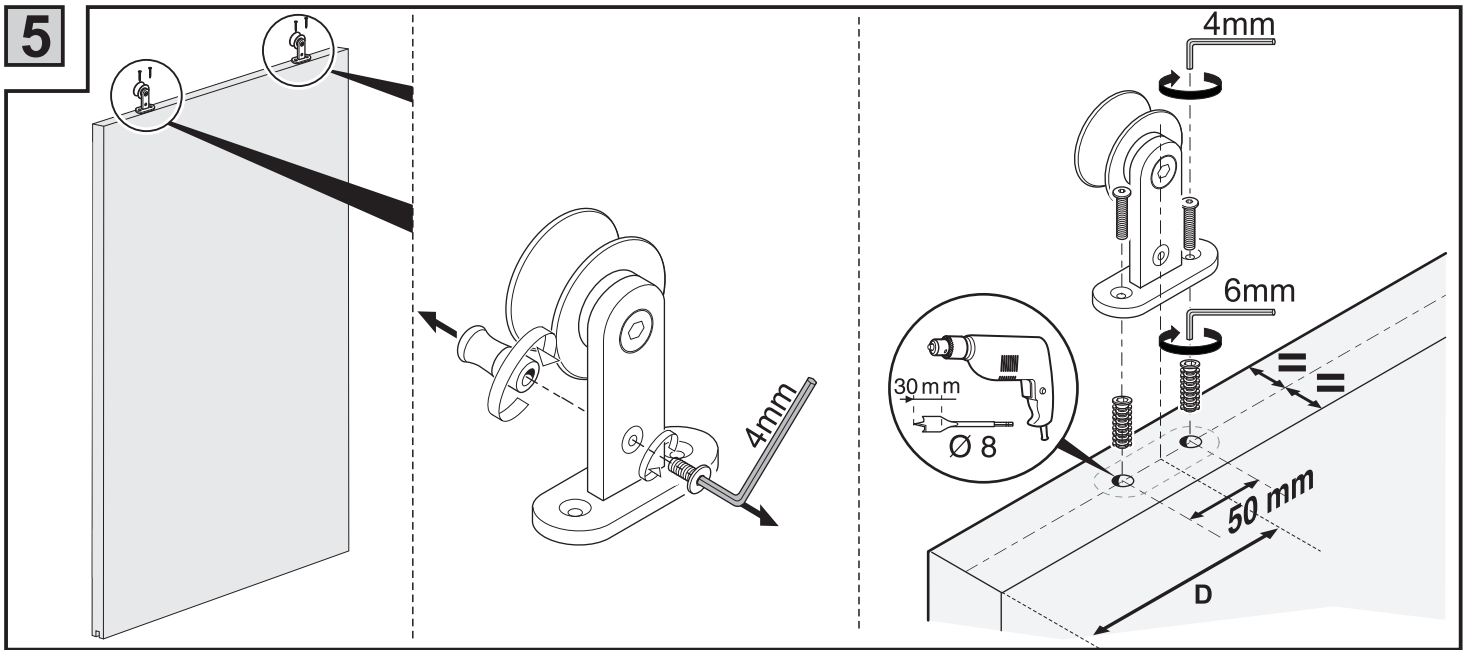
# Drilling position measurement



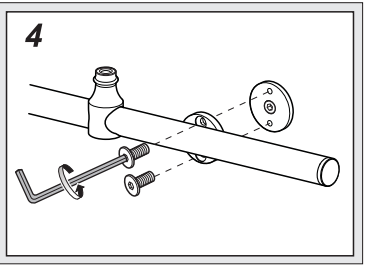
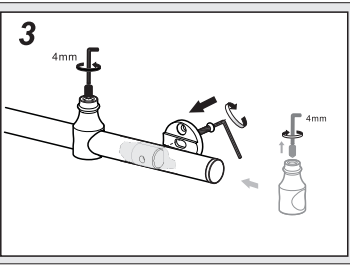
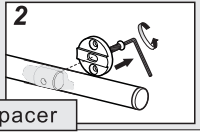
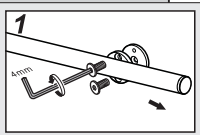
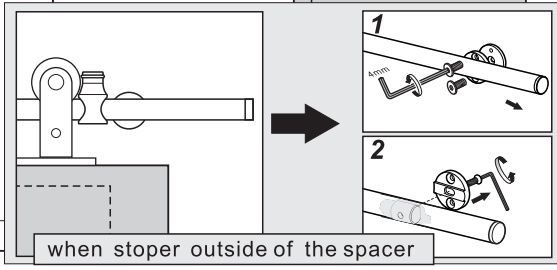
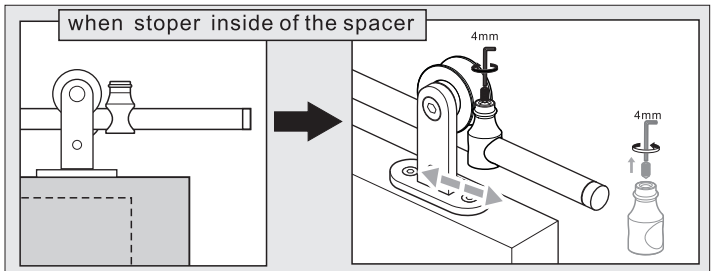
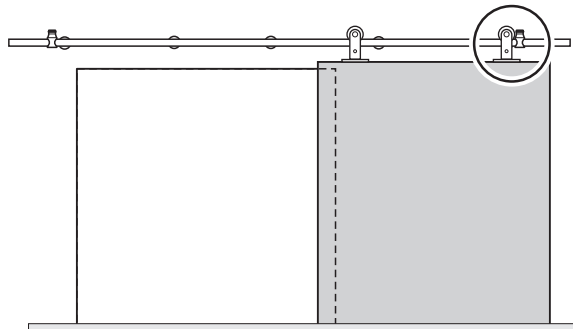
D(mm)	L(mm)
70	$45+(WD-WH)/2$
100	$80+(WD-WH)/2$
150	$40+(WD-WH)/2$

# Installation manual





8



9

