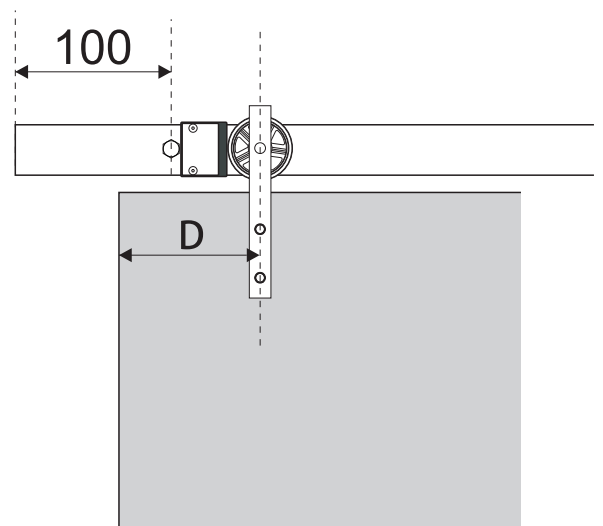
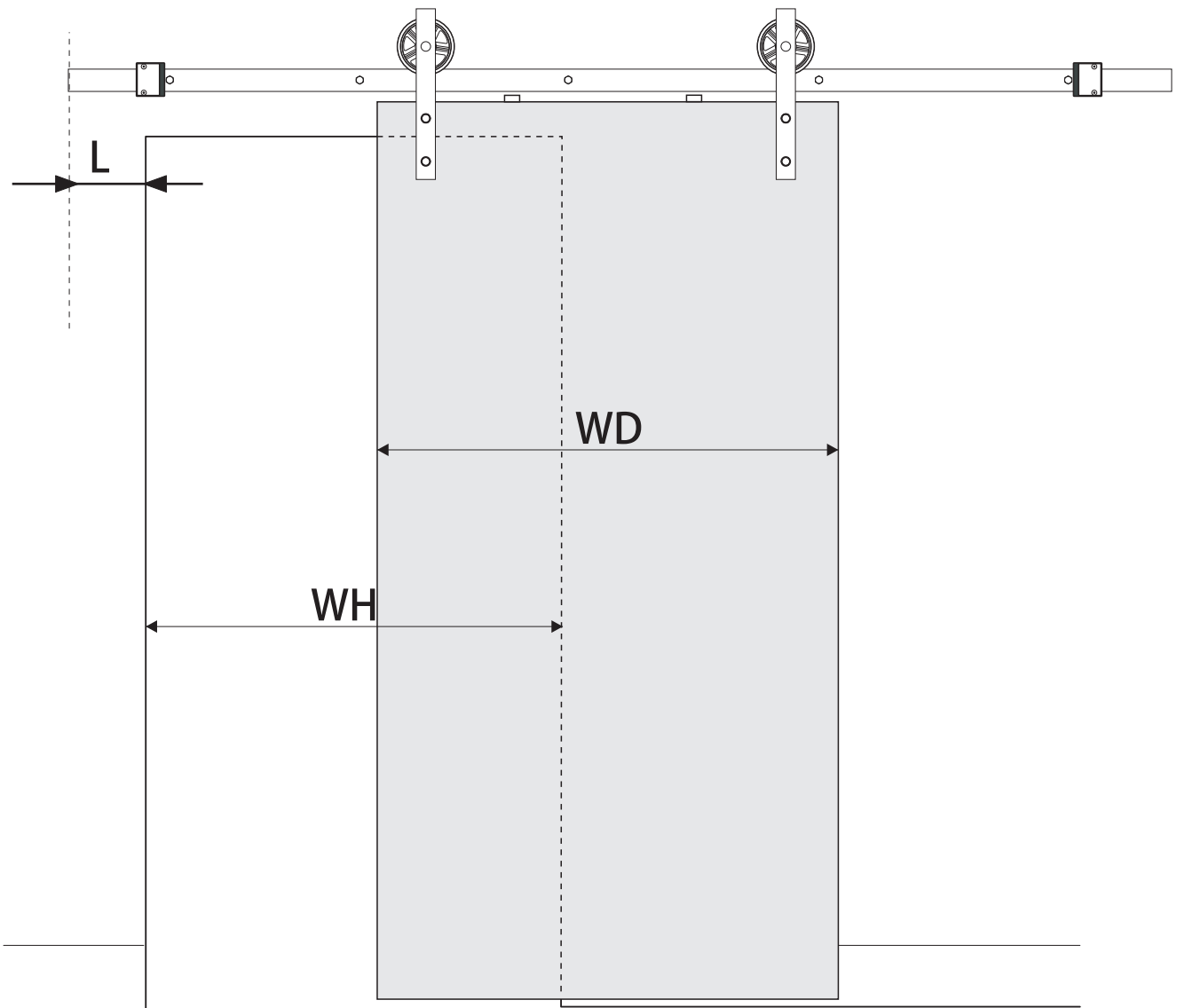
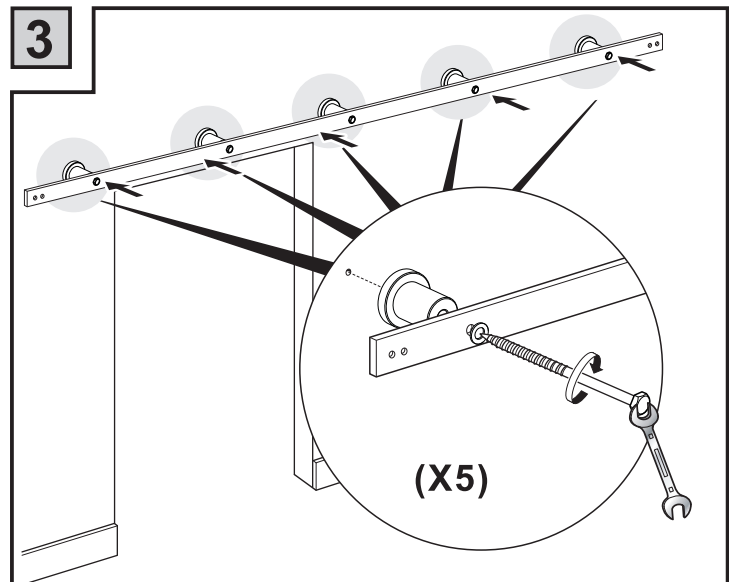
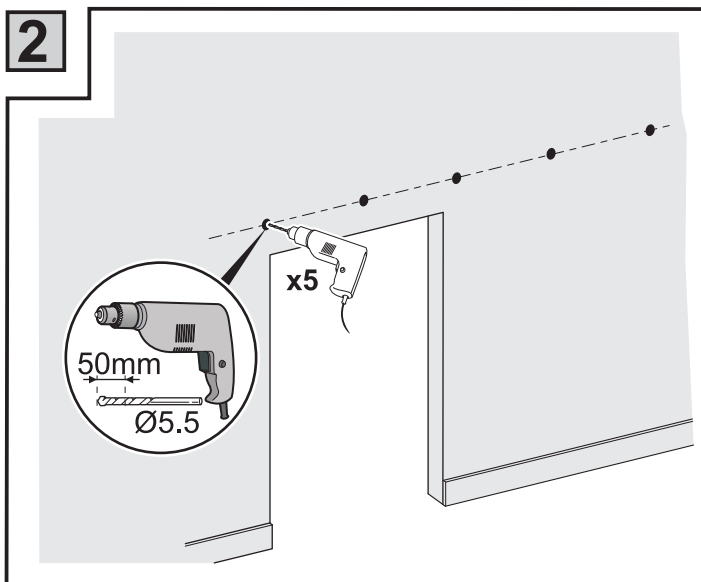
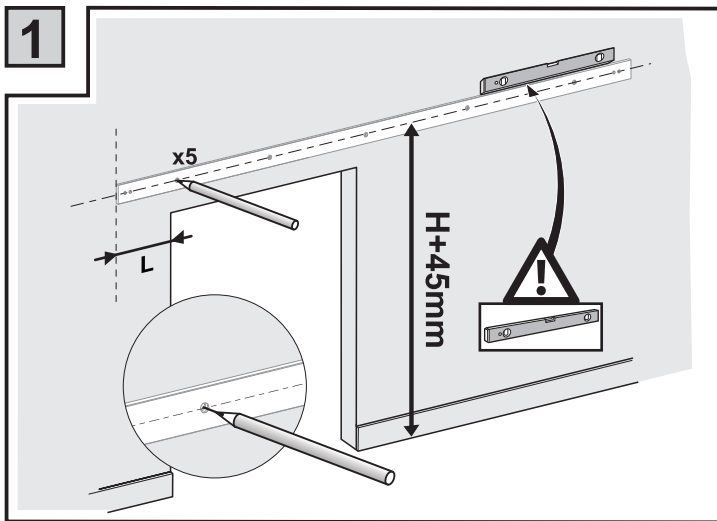
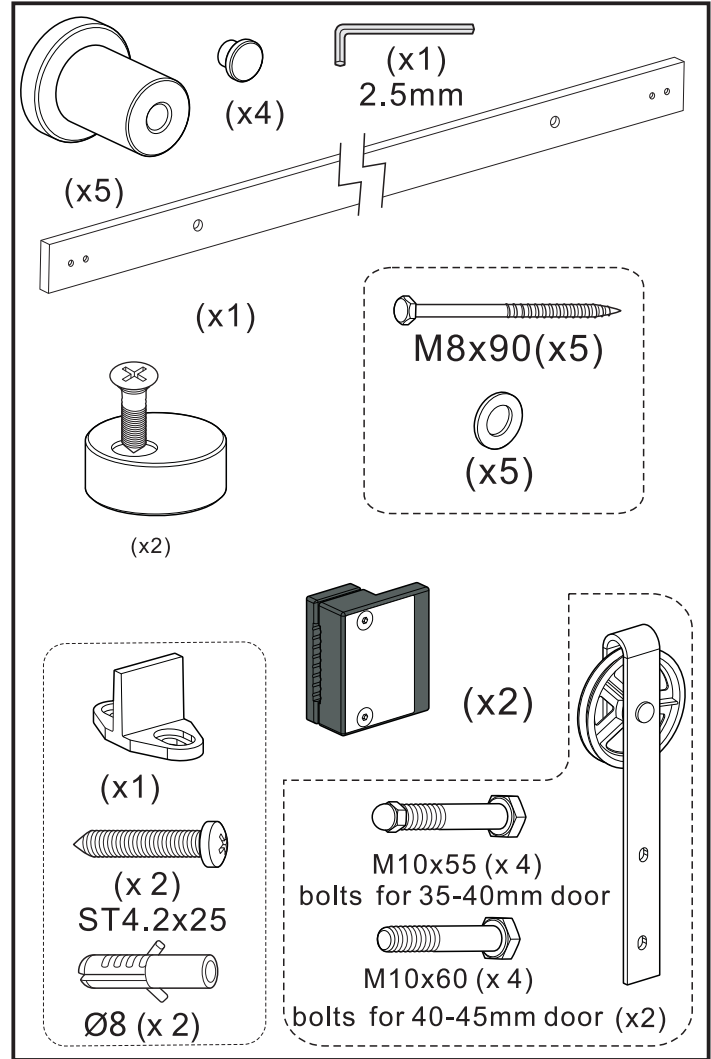
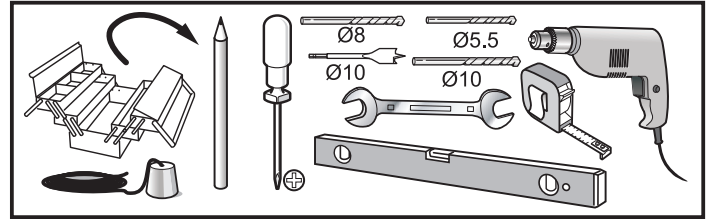
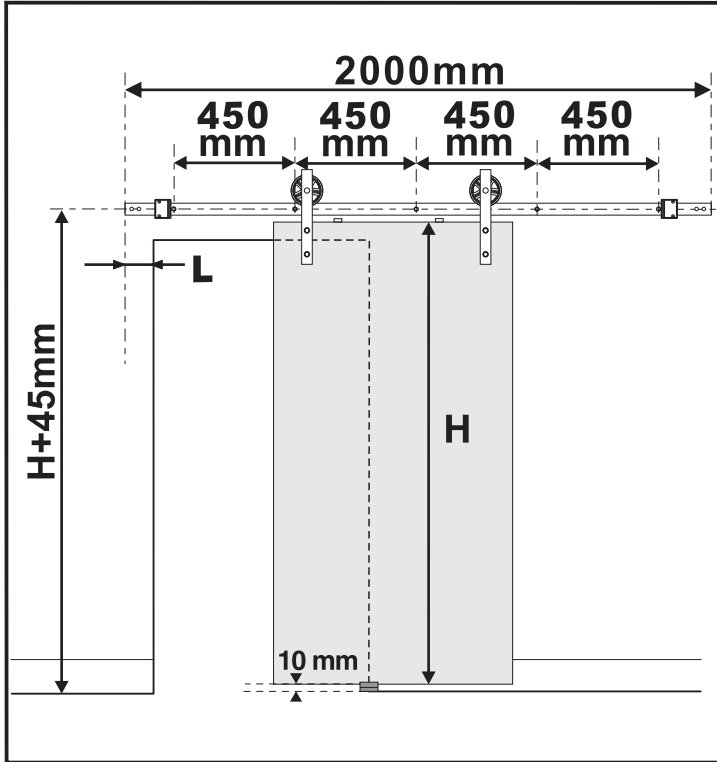


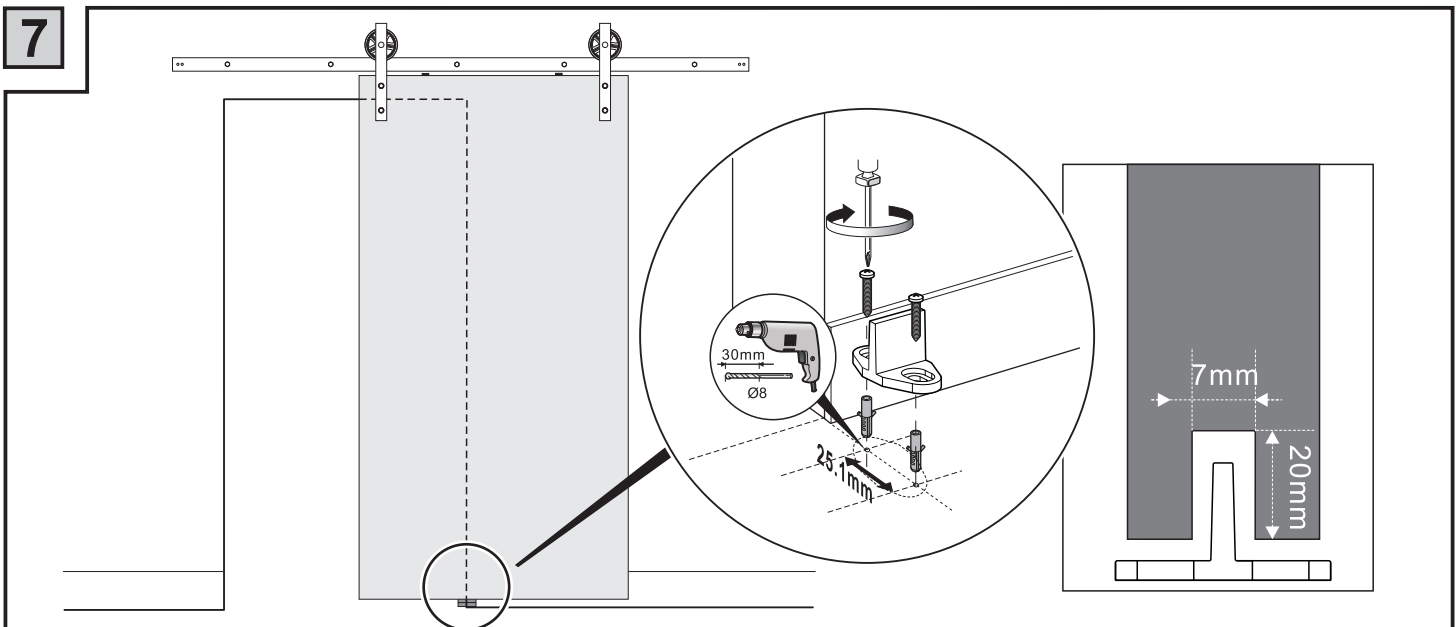
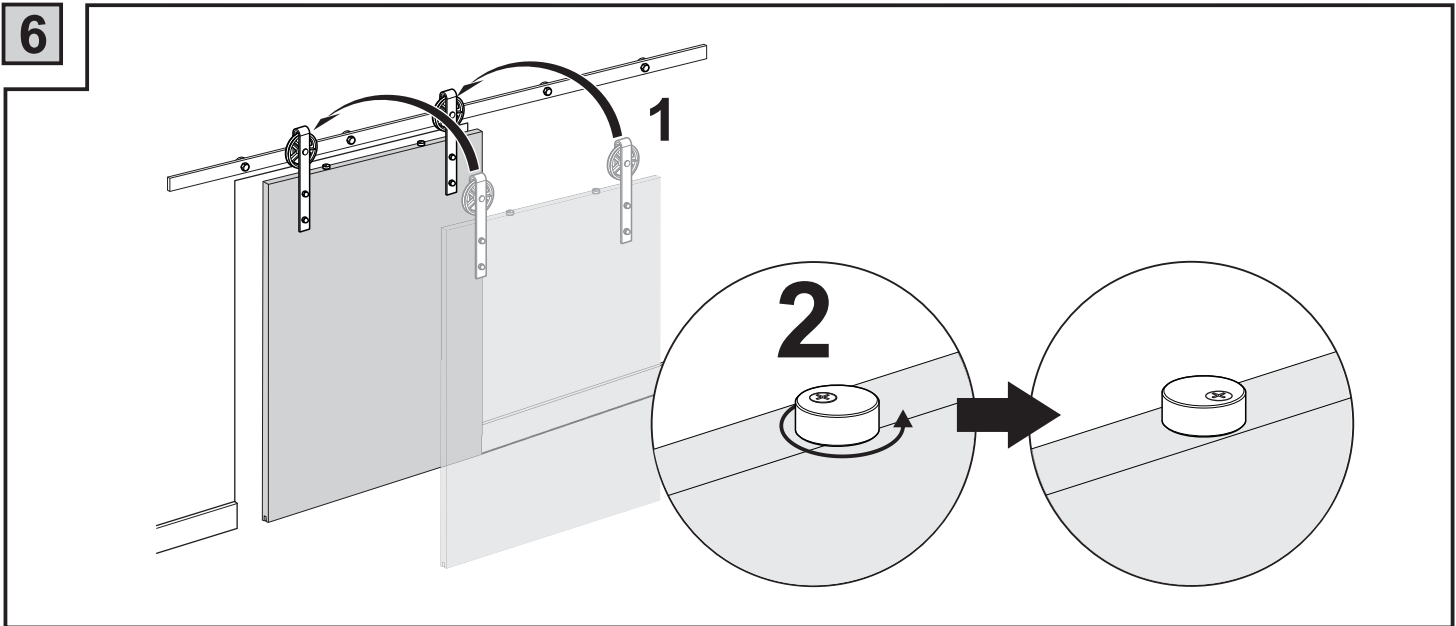
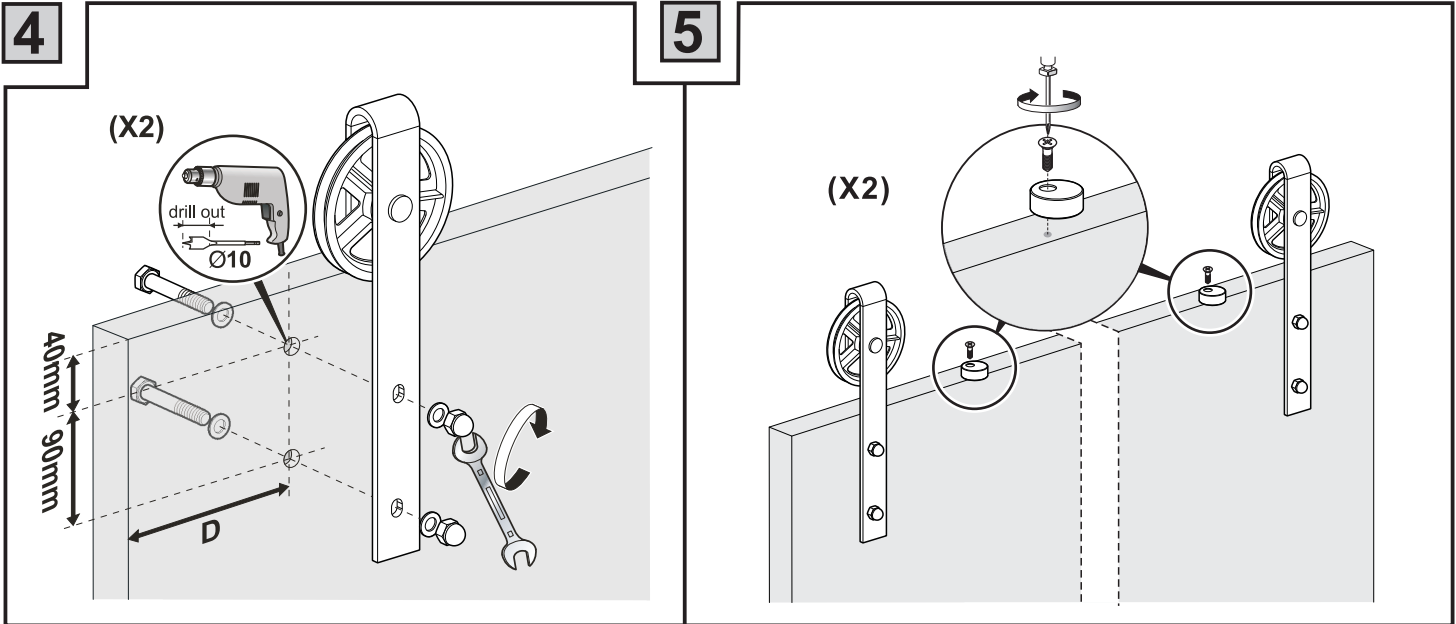
# Drilling position measurement



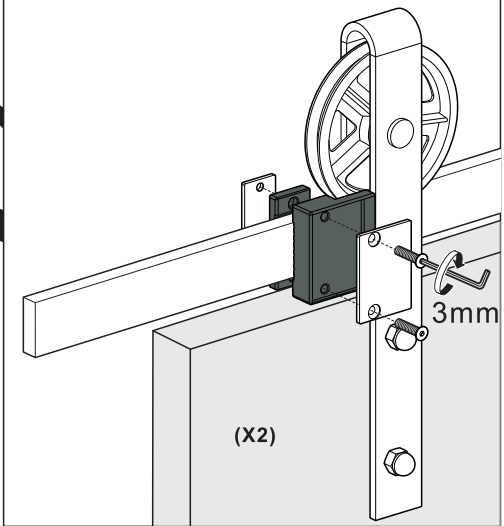
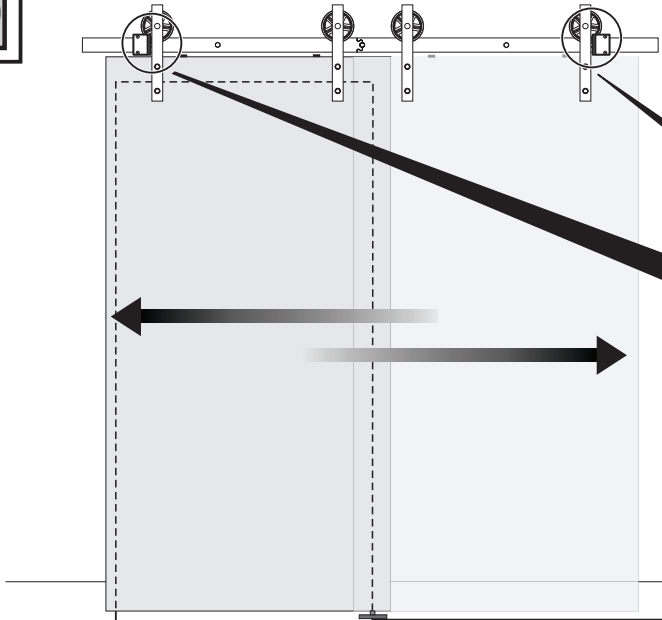
D(mm)	L(mm)
20	$95 + (WD - WH) / 2$
100	$80 + (WD - WH) / 2$
150	$40 + (WD - WH) / 2$

# Installation Manual

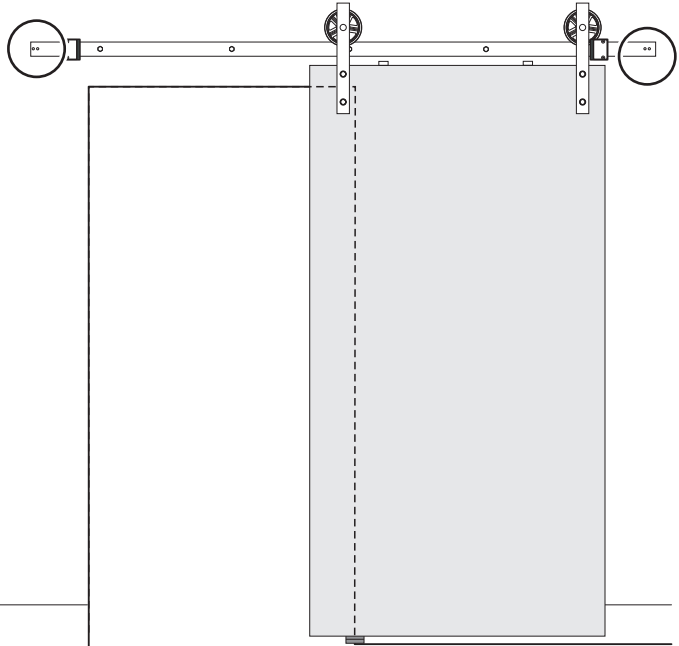




10



10



(X4)

