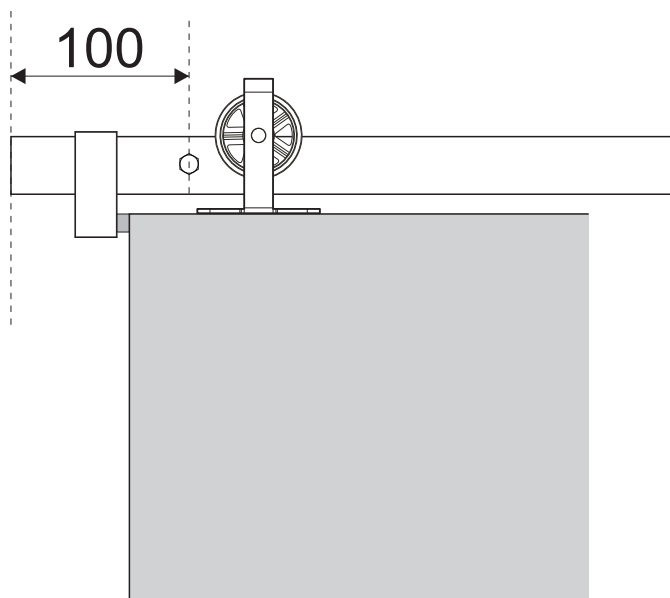
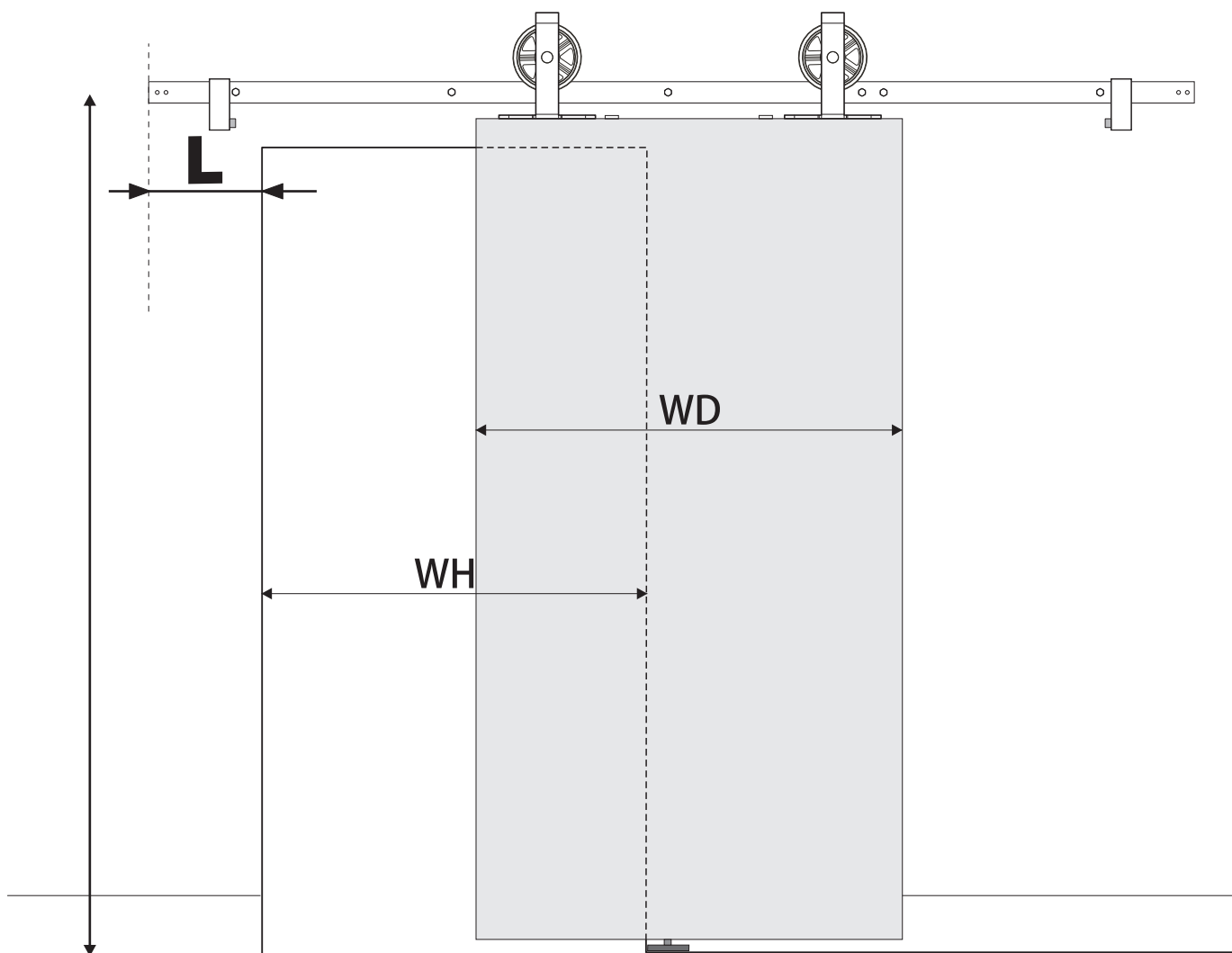


# Drilling position measurement



$$L=100+(WD-WH)/2$$

# Installation Manual

