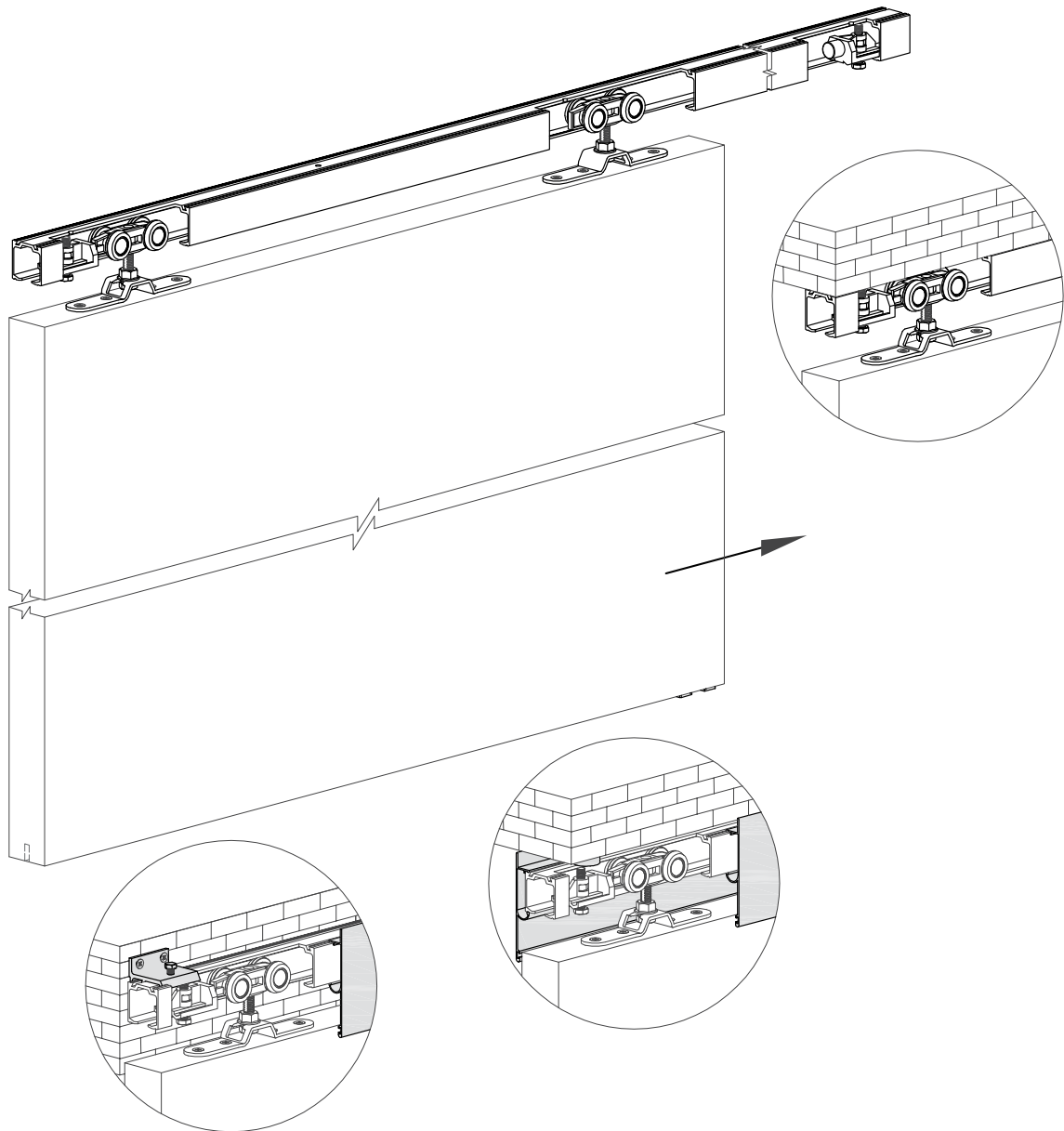
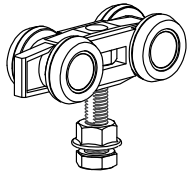
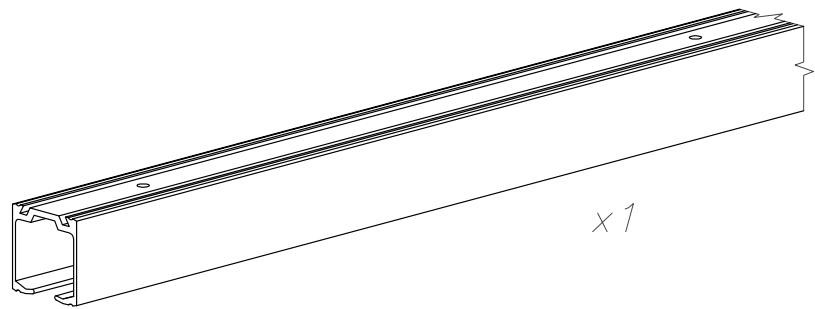




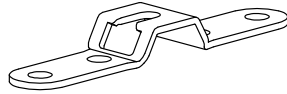
www.valcomp.pl

# HERKULES 120

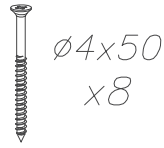




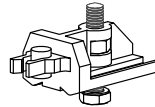
x2



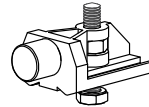
x2



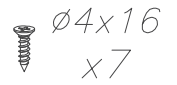
Ø4x50  
x8



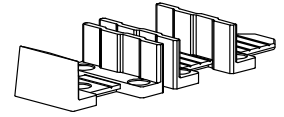
x1



x1



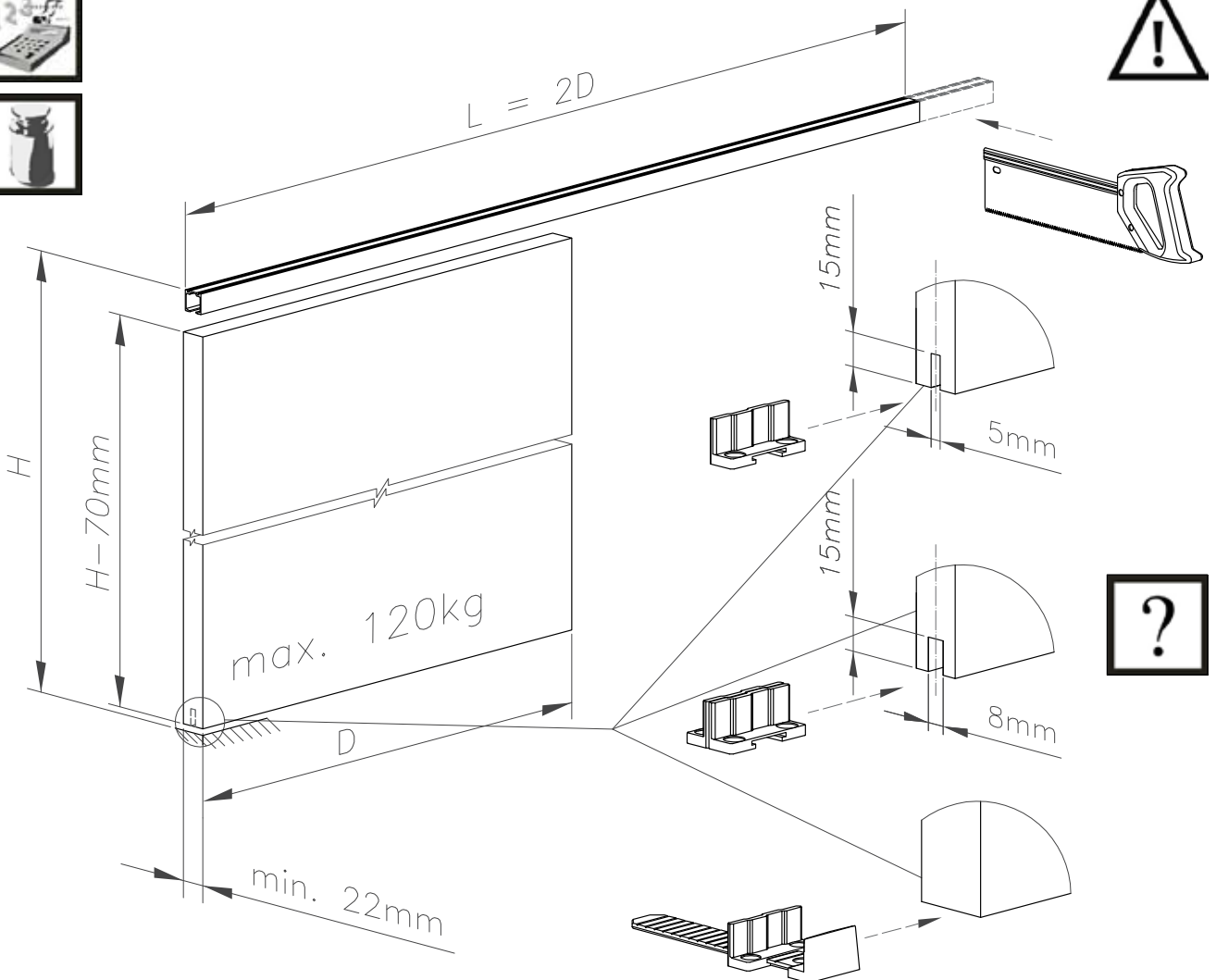
Ø4x16  
x7



x1



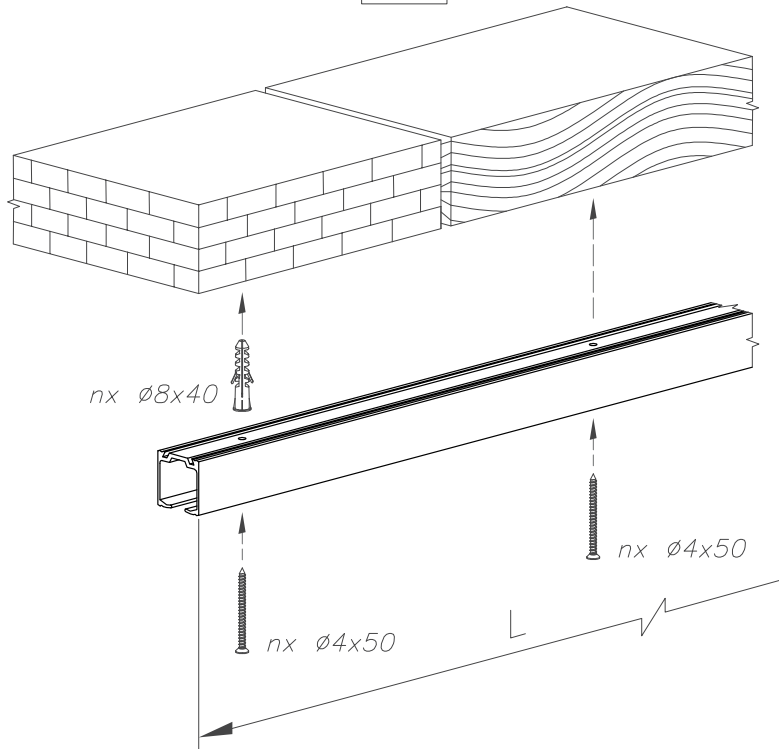
1



?

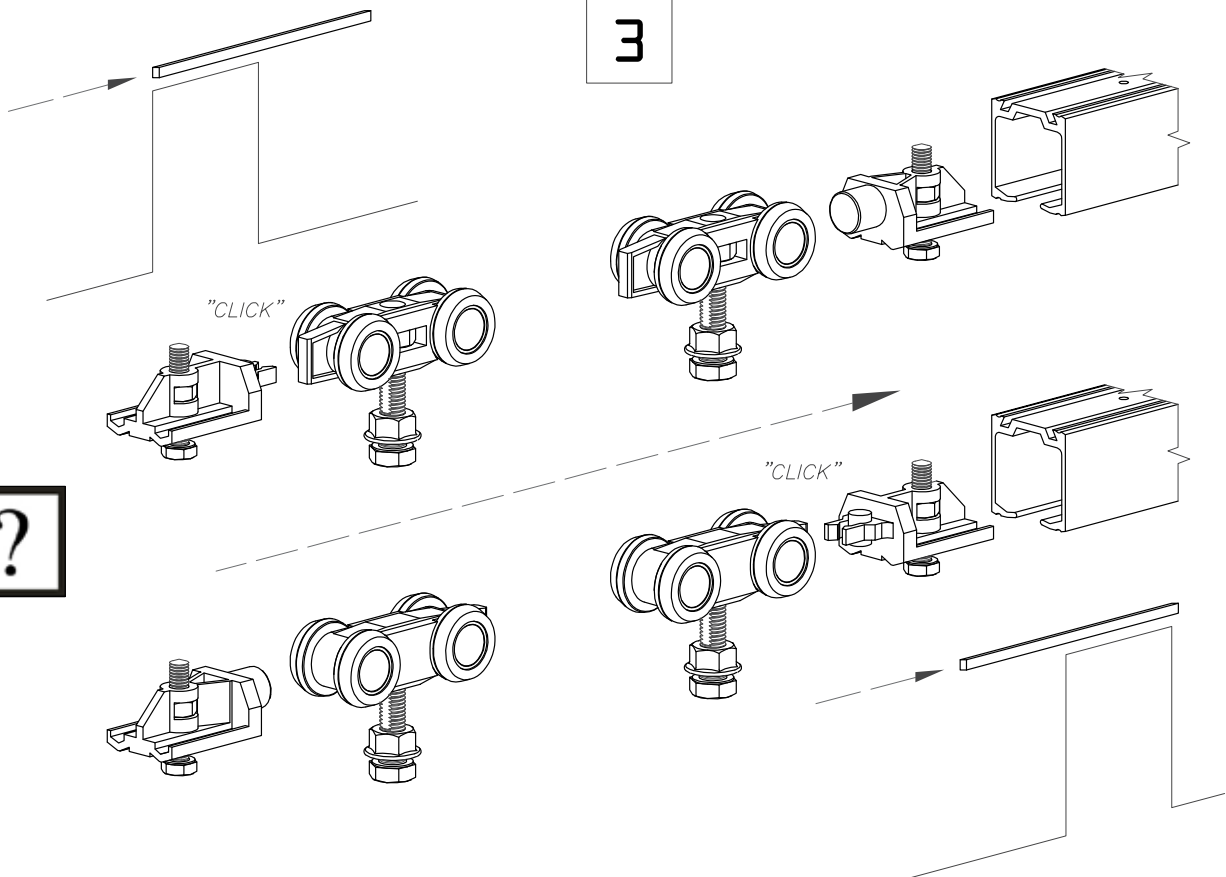


2



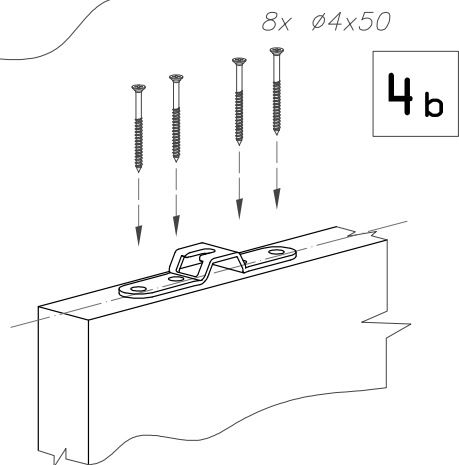
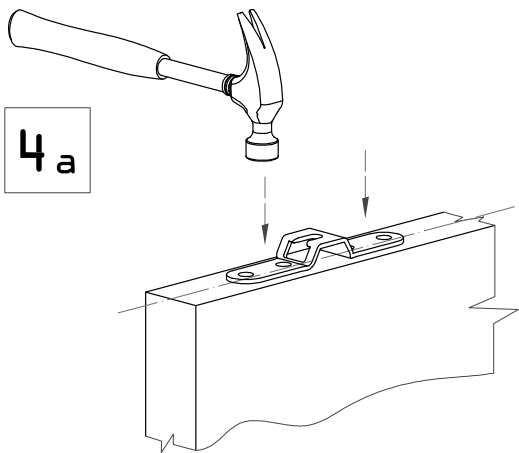
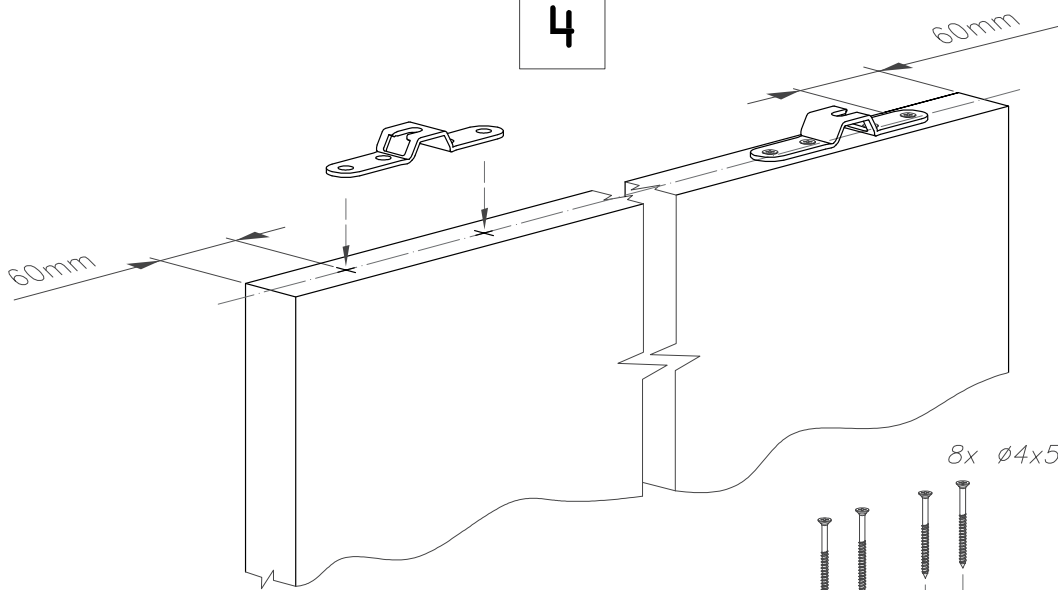
L[mm]	1200	1500	1800	2000	2400	3000
n	5	6	7	7	9	11

3

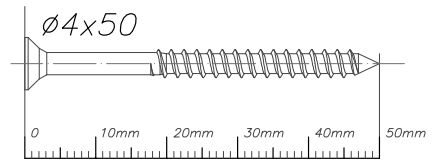




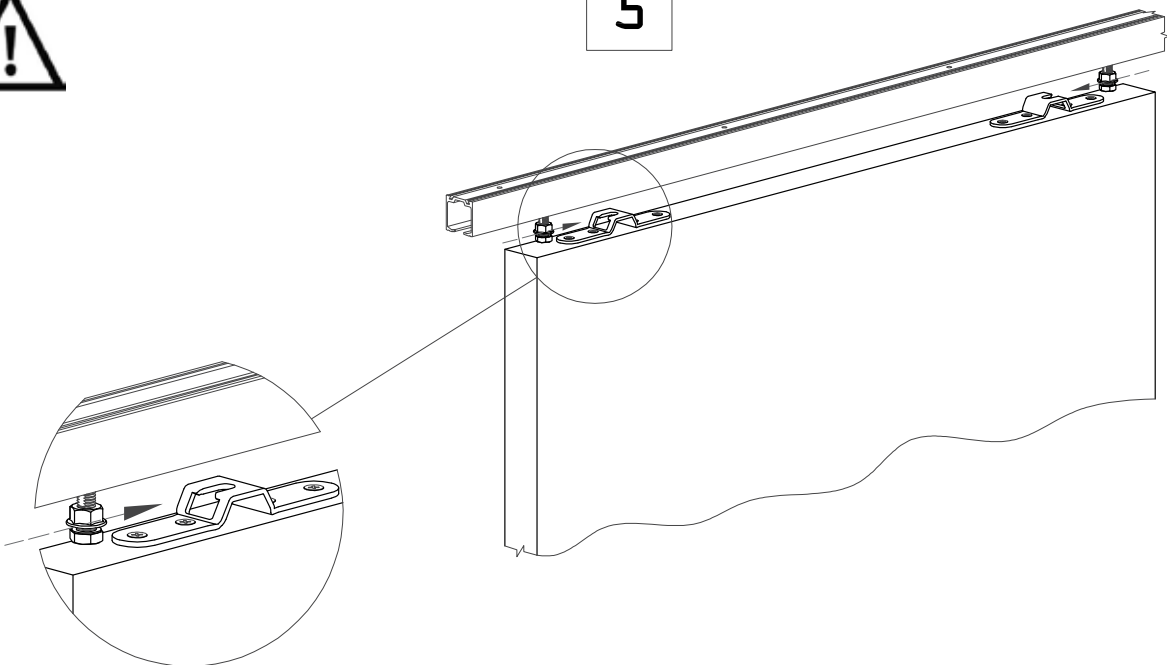
4



8x  $\varnothing 4 \times 50$

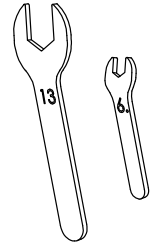
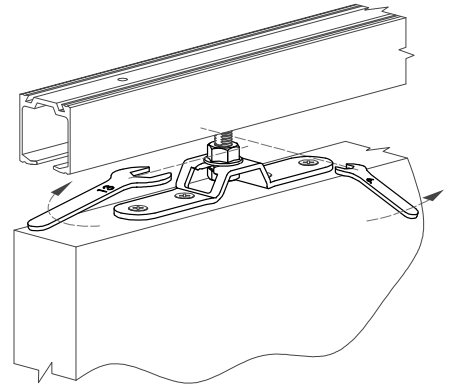
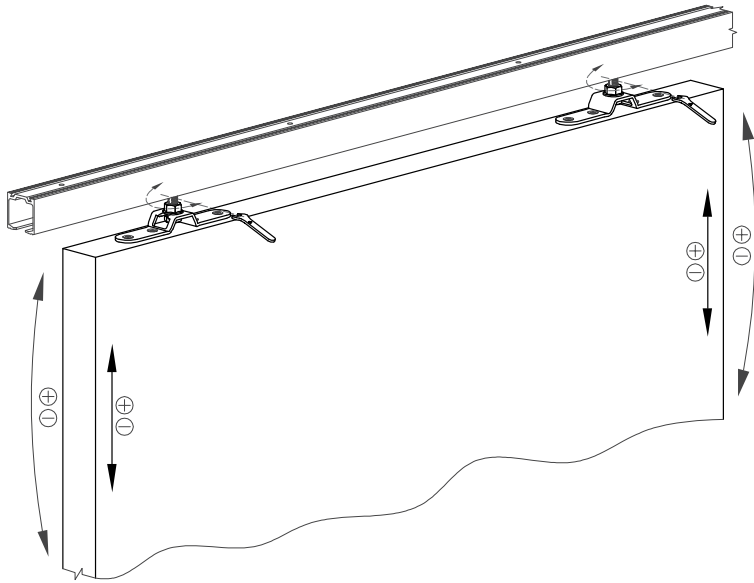


5

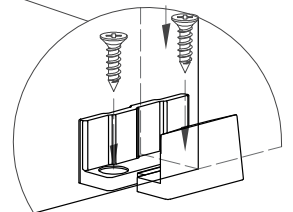
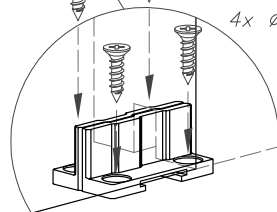
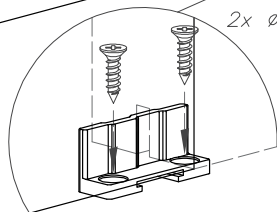
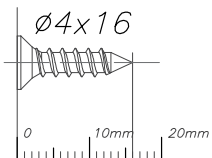
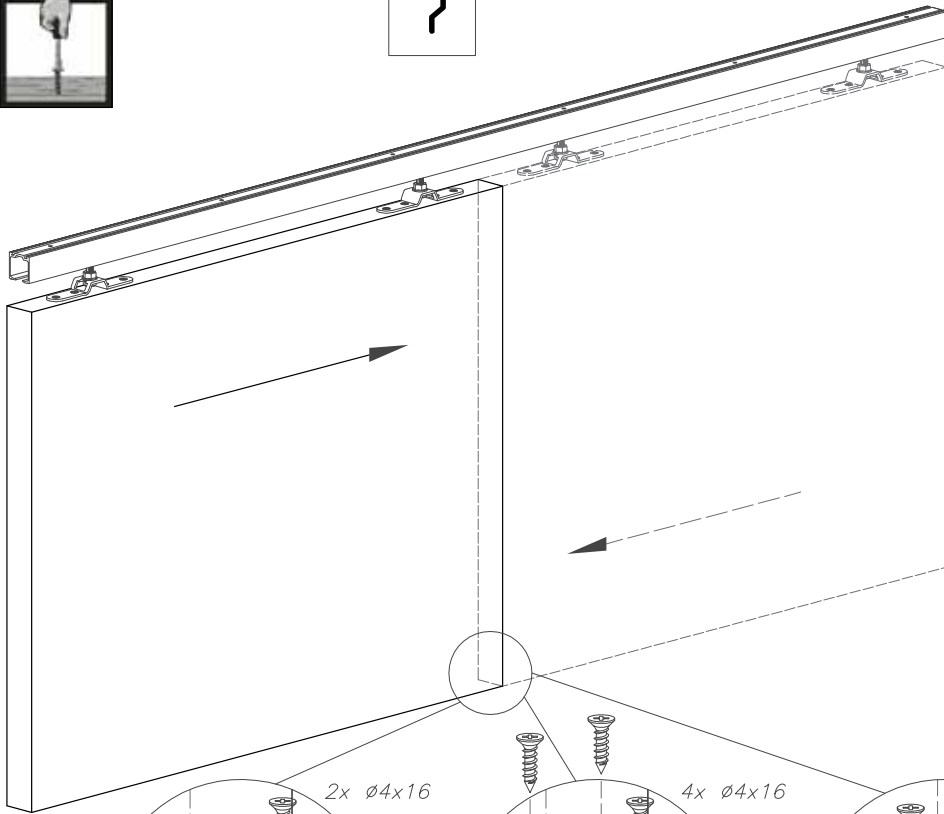


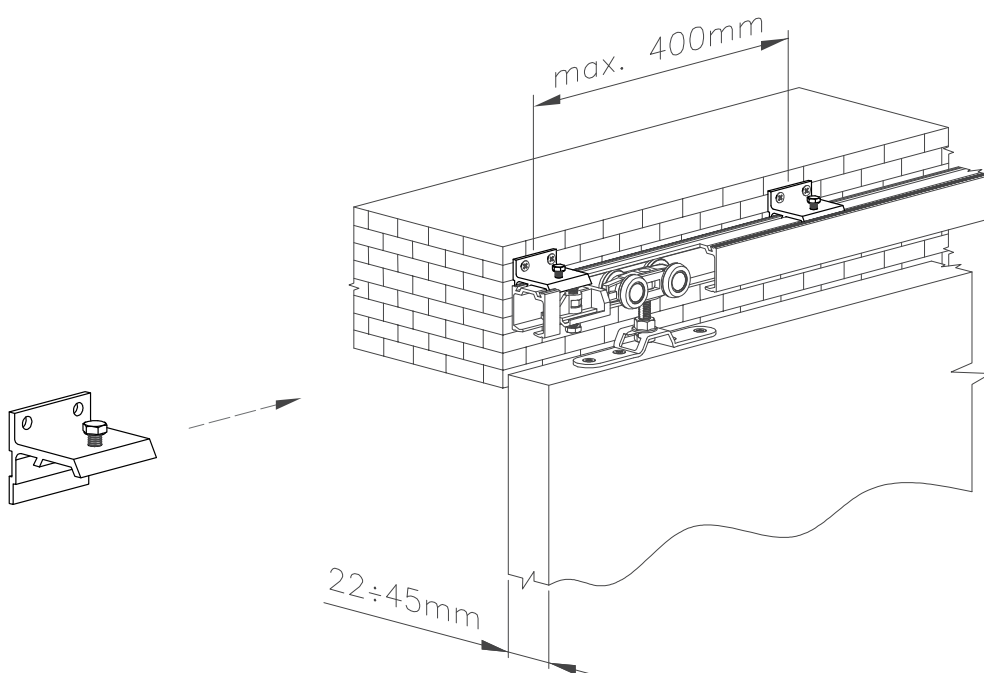
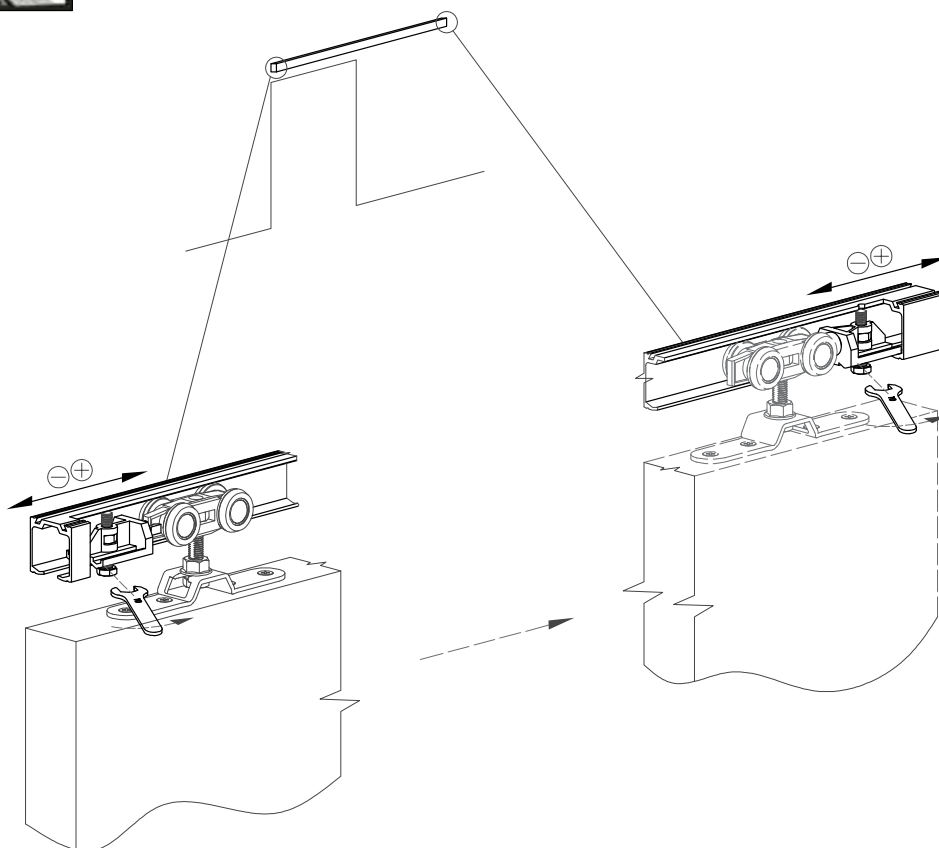


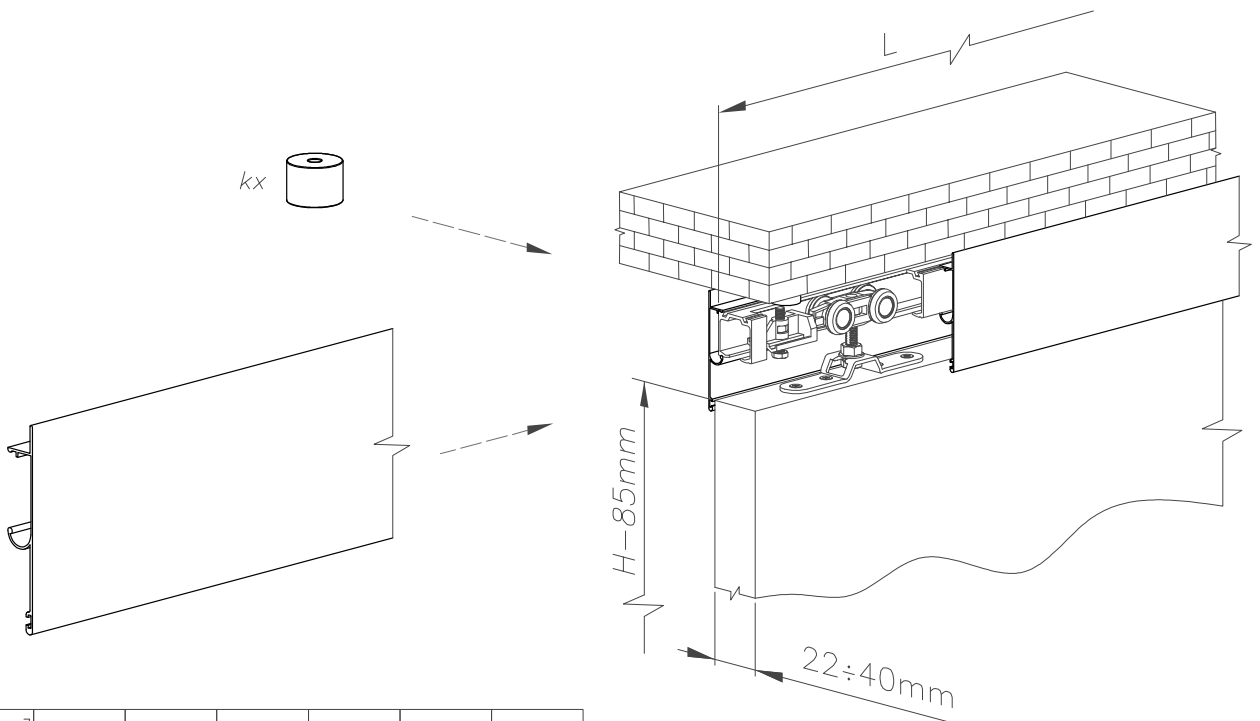
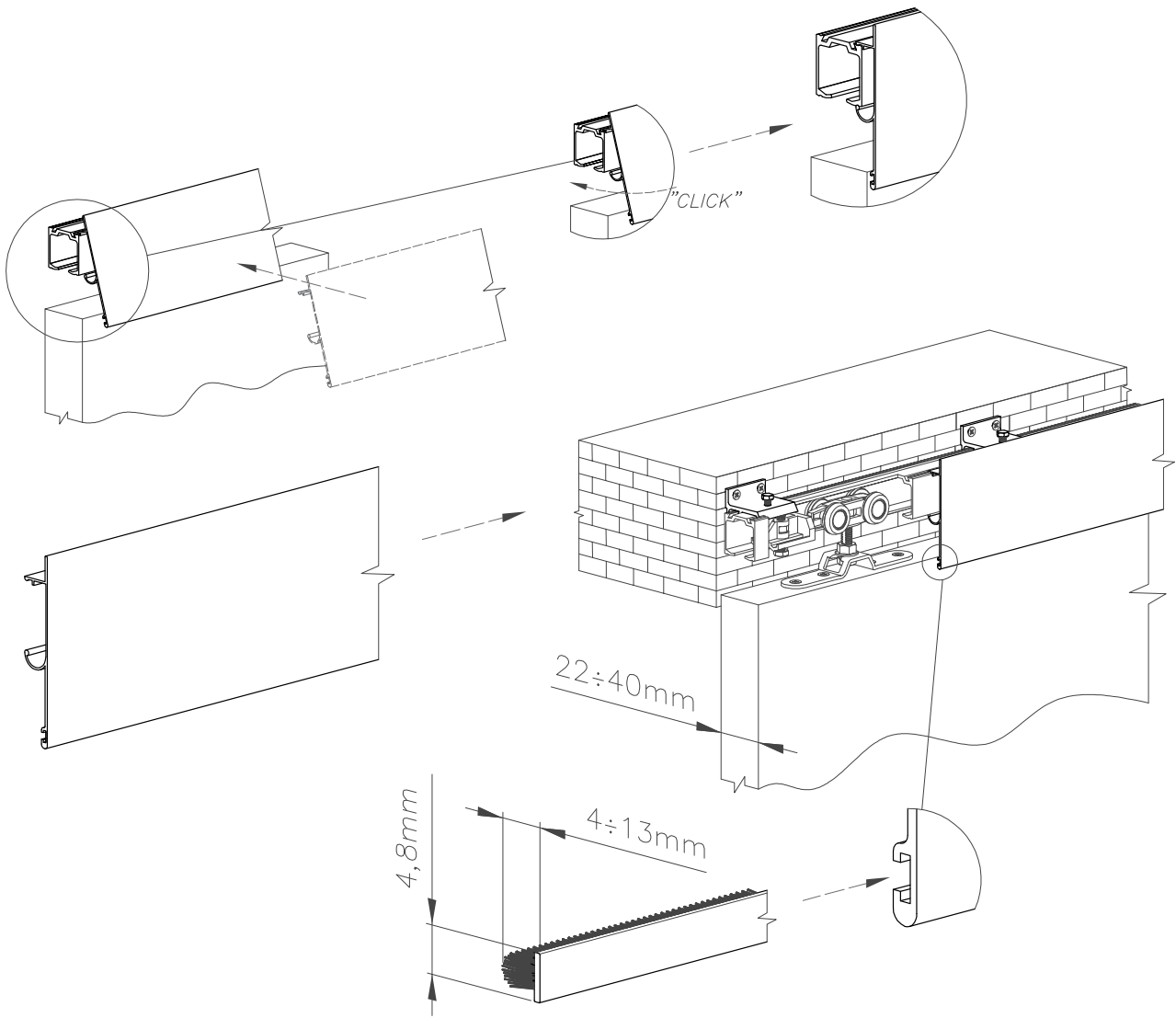
6



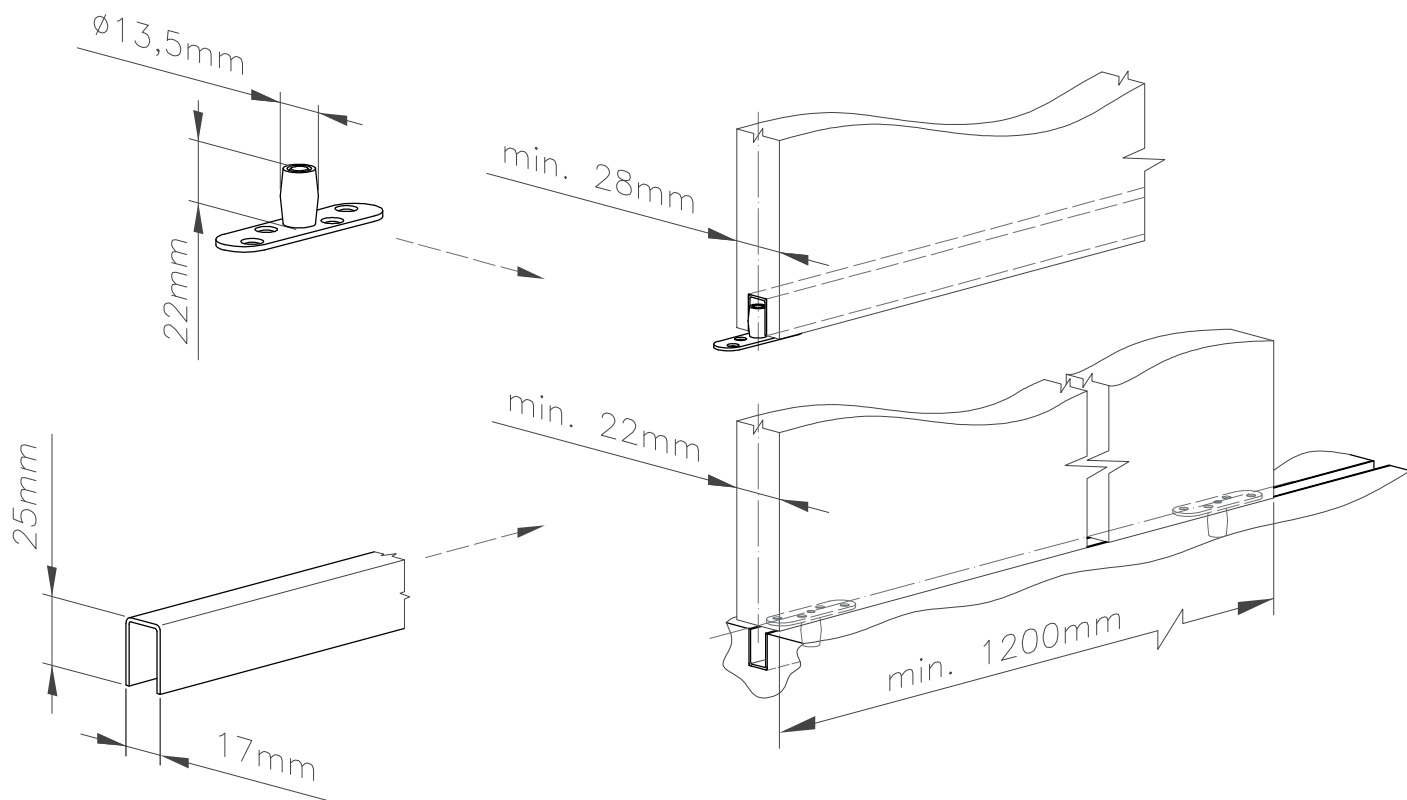
7







L[mm]	1200	1500	1800	2000	2400	3000
k	5	6	7	7	9	11



[www.valcomp.pl](http://www.valcomp.pl)